

Part number

CHP 06 L



Surface mounting housing, C-TYPE series, with 1 lever, Pg16 cable entry, size "44.27"

Product description

| | |
|---------------------|--------------------------|
| Product type | Surface mounting housing |
| Series | C-TYPE |
| Closing type | With 1 lever |
| Size | Size "44.27" |
| Cable entry | Pg16 |

Technical data

| | |
|--------------------------------|-------------------------------|
| IP degree of protection | IP66 (and IP69 DIN 40050 - 9) |
|--------------------------------|-------------------------------|

Further technical details

| | |
|---|----------------|
| Weight | 199,00 g |
| Operating temperature range (min, max) | -40°C...+125°C |

Material properties

| | |
|------------------------------|---------------|
| Colour | RAL 7040 grey |
| RoHs conformity | Compliant |
| China RoHs - EFUP | E |
| REACH SVHC substances | No |

Approvals / Standards

| | |
|-----------------------|------------|
| Certifications | DNV-GL, BV |
| UL | ECBT2 |
| cUL | ECBT8 |

General ordering information

| | |
|-------------------|---------------|
| EAN13 code | 8015747021418 |
|-------------------|---------------|

Packaging Information

| | |
|----------------------------------|-----------------------|
| Packaging length | 475,00 mm |
| Packaging height | 160,00 mm |
| Packaging width | 140,00 mm |
| Packaging weight | 2,34 kg |
| Packaging volume | 10,64 dm ³ |
| Packaging description | Carton box |
| Packaging quantity | 10 Pcs |
| Packaging EAN code | 8015747249409 |
| Sub-packaging weight | 1,17 kg |
| Sub-packaging description | Carton box |
| Sub-packaging quantity | 5 Pcs |
| Sub-packaging EAN barcode | 8015747021432 |

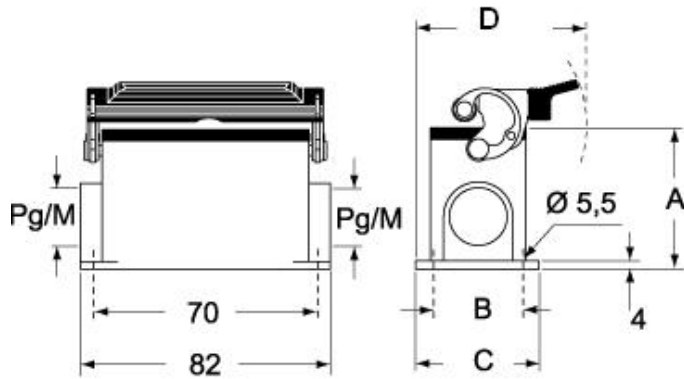
Part number

CHP 06 L

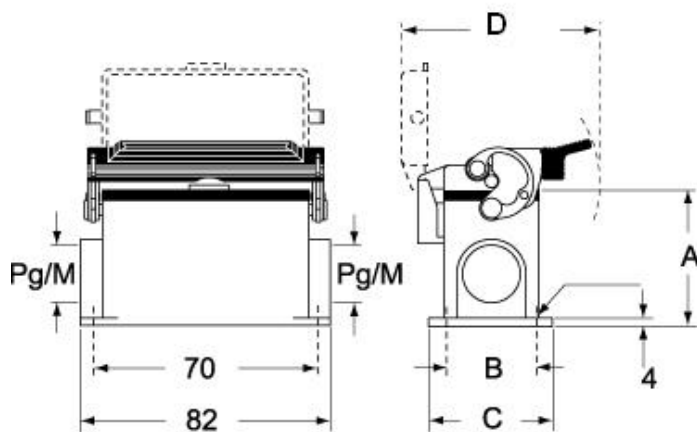


Catalogue drawings

CHP L CAP L - MHP L MAP L



CHP LS CAP LS - MHP LS MAP LS



Notes

Dimensions shown in mm are not binding and may be changed without notice.